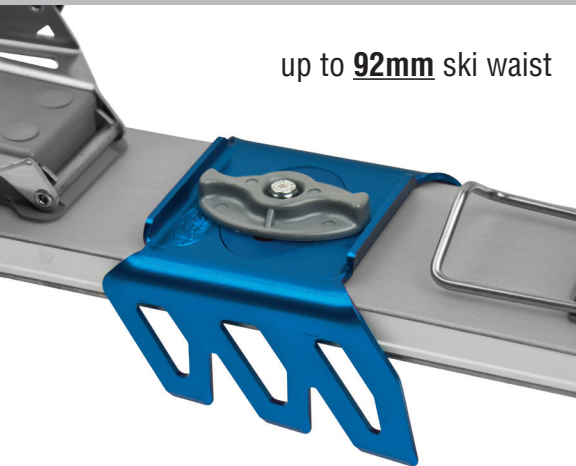


# VOILÉ-USA

## skicrampon

up to **92mm** ski waist



- Universal ski crampon for most telemark and AT bindings
- Fixed to ski for the most secure ascents
- Full purchase in the snow even while heel elevators are up



7 59948 20700 1



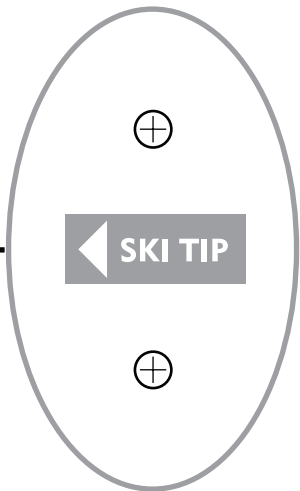
[voile-usa.com](http://voile-usa.com)  
801.973.8622

## Instructions

1 Position the template center on the ski and position the front edge of the template card where you would like the front edge of the crampon. Make sure to provide enough clearance to attach and remove the crampon. Use tape to hold in place.

2 With template in place, use a sharp pointed punch to mark and prepare holes for drilling. Follow ski mfg guidelines for drill bit selection. Typically, use a 3.5mm x 9.5mm ski drill bit.

FRONT EDGE OF CRAMPON



3 Use wood glue in holes to mount the aluminum disk.

4 Place rotating plastic disk on threaded post and use a 3/8" nut driver to secure lock-nut.

5 Align rotating plastic disk with aluminum disk and place crampon on ski. Rotate disk to lock crampon in place. You are set to climb.

**VOILÉ-USA**  
Simple. Solid. Backcountry.